

DL2
Data sheet

DL2

The DESKLINE® DL2 column is designed for a wide range of workstation applications and it is the ideal choice for duties such as height adjustment of computer workstations, work benches, assembly desks or even kitchens. The 2-part DL2 column can lift high loads, has a very robust design, and it is compatible with the complete range of DESKLINE® control boxes and controls.

Depending on type of control box, the system can run as a single system, with two to four DL2 columns in parallel, or even up to 16 columns in multi parallel.



Features:

- Load: up to 2500 N per DL2
- Speed: up to 20 mm/s with CBD6S
- Various installation dimensions
- Stroke length: 300 mm, 350 mm or 500 mm (all ± 4 mm)
- Colour: Natural anodised aluminium profiles, and black painted 8 mm end plates or electro-galvanised 3 mm end plates
- Low noise level
- Compact and mounting-friendly design
- Built-in limit switches (not adjustable)
- Dimensions:
 - Column: 147 x 194 mm
 - 8 mm end plates: 160 x 244 x 8 mm
 - 3 mm end plates: flush with the profiles
- Each column is fitted with a 100 mm mini-fit cable
- Dynamic bending moment (at 100% stroke length):
 $M_{y+}/M_{x+} = 250$ Nm and $M_{y-}/M_{x-} = 200$ Nm

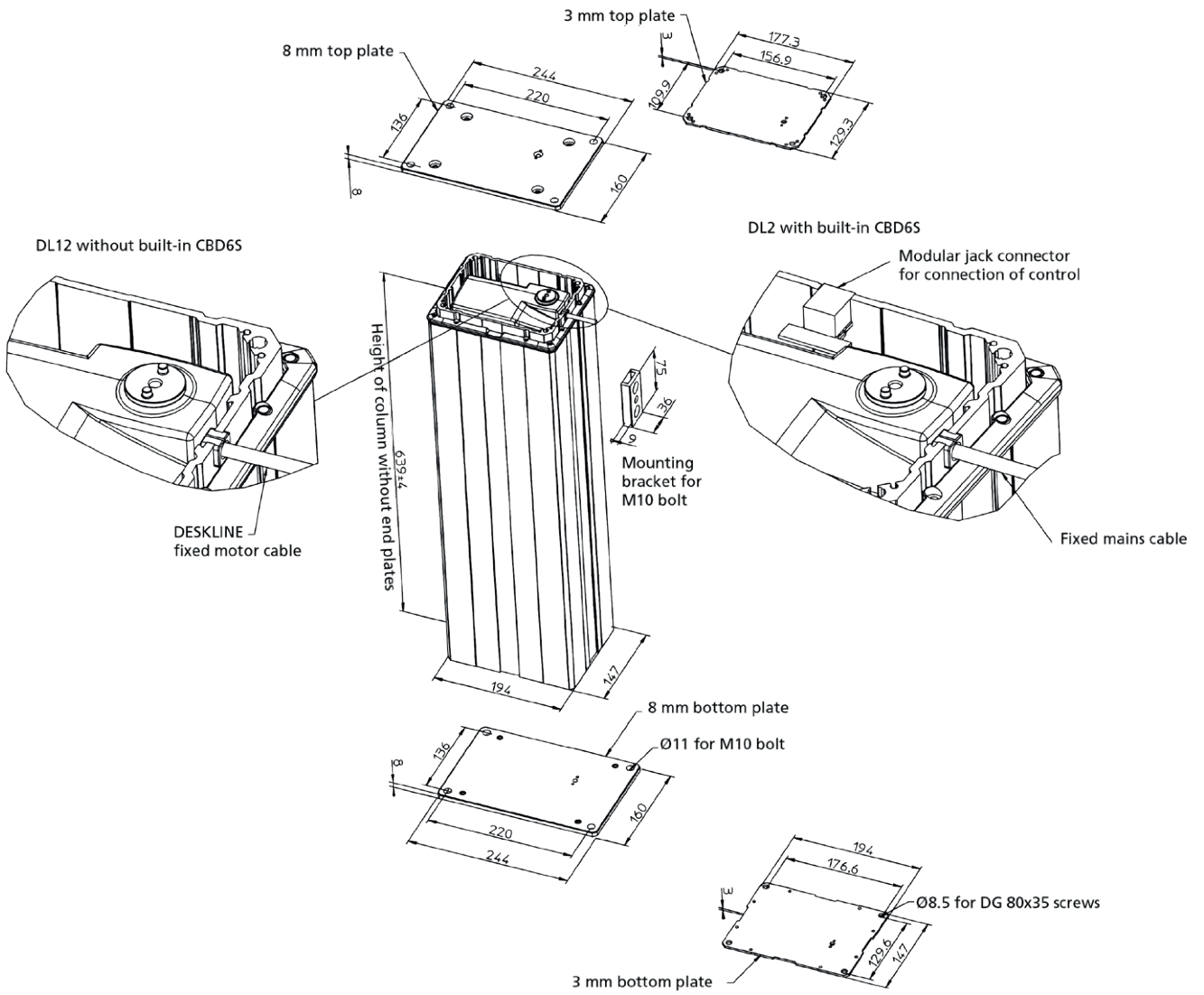
Options:

- Mounting bracket (order number 0578006)
- CBD6S mounted inside the DL2

Usage:

- Single drive or parallel drive
- Duty cycle: max. 5 %, max. 1 minute continuous use followed by 19 minutes pause
- Ambient temperature: 5 to 40 °C
- Storage and transport temperature: -20 to +70 °C
- Approved according to EN 60335-1
- Approved according to UL962 with CBD6S

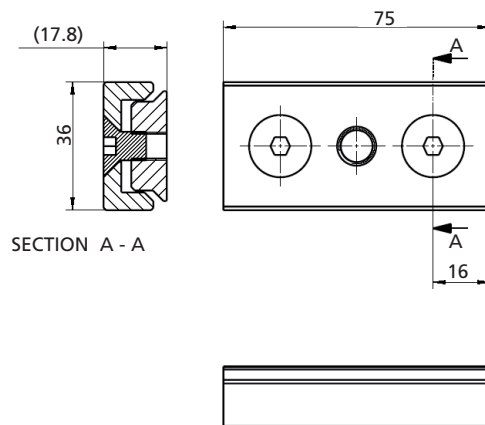
Dimension DL2:



LINAK A/S supplies the lifting column with either 8 or 3 mm end plates. The DL2 can be prepared for built-in CBD65.

Mounting bracket (order no.: 0578006):

The mounting bracket can for example be used for placement of an extra actuator (tilt function), customised cover (for encapsulation of the DL2), control box computer etc.



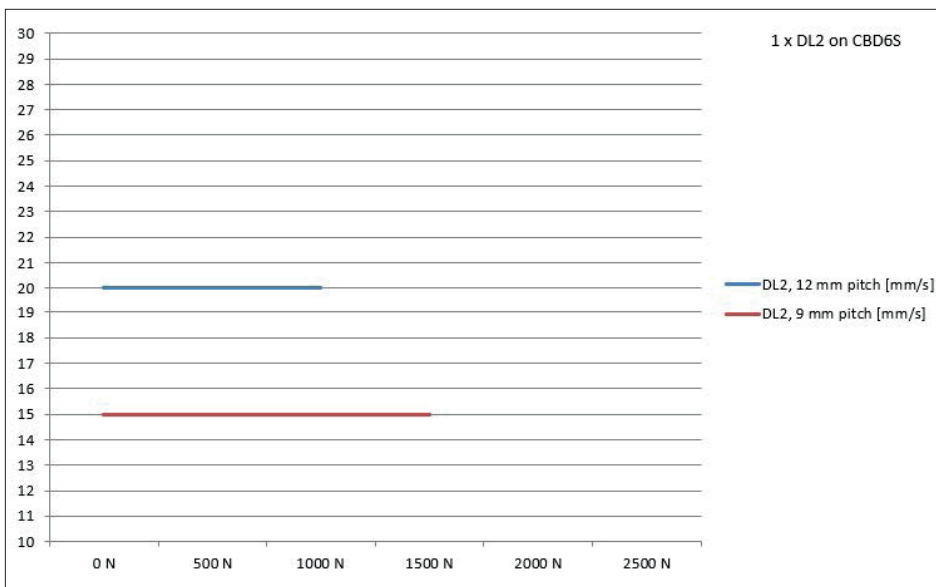
DL2 (with LA31, 12V motor) in combination with CBD4/CBD6S

Spindle pitch (mm)	Max. load Push (N)	Typically Speed Unloaded / Loaded (mm/s)	Self-locking Push (N)
6	2500	10	2500
9	1500	15	1500
12	1000	20	1000

- CBD6S (200 W): Up to 2 DL2 can be connected. The speed is constant within the working range.
- CBD6S (300 W): Up to 4 DL2 can be connected.

DL2 columns ordered for operation with CBD6S are delivered with mini-fit connection with a cable length of approximately 100 mm.

CBD6S speed curve:



DL2

Ordering example:

DL	2	3	0	C	A	0	0	500	655	
									Installation dimension	455 S (300) +155 mm incl. 2 pcs. 8 mm end plates 450 S (300) +150 mm incl. 1 pcs. 8 mm + 1 pcs. 3 mm end plates 445 S (300) +145 mm incl. 2 pcs. 3 mm end plate
									Stroke length	505 S (350) +155 mm incl. 2 pcs. 8 mm end plates 500 S (350) +150 mm incl. 1 pcs. 8 mm + 1 pcs. 3 mm end plates 495 S (350) +145 mm incl. 2 pcs. 3 mm end plate
									Cable type	655 S (500) +155 mm incl. 2 pcs. 8 mm end plates 650 S (500) +150 mm incl. 1 pcs. 8 mm + 1 pcs. 3 mm end plates 645 S (500) +145 mm incl. 2 pcs. 3 mm end plate
									CBD Type	0 = Without built-in control box All cables without earth (2P) Class 2 1 = Straight EU cable, Grey, 3.2 m 2 = Straight EU cable, Black, 3.2 m 3 = Straight UK cable, Black, 3.2 m 4 = Straight UL cable, Black, 3.2 m 5 = Straight AUS cable, Black, 3.2 m 6 = Straight Japan cable, Black, 3.2 m 7 = Straight CH cable, Black, 3.2 m
									Colour	0 = Without built-in control box F = Built-in CBD6S, 230V P 0 0 0 2 0 A - 0 0 9* G = Built-in CBD6S, 120V P 0 0 0 2 0 A - 1 0 9*
									Positioning	A = Natural anodized aluminium profile (Grey top frame) B = Natural anodized aluminium profile (Black top frame)
									Endplates	C = Hall sensor for internal CBD6S or external CBD4 / CBD6S
									Actuator	0 = 8 mm end plates, black 1 = 3 mm end plates, electro galvanized** 2 = 3 mm top plate and 8 mm bottom plate*** 3 = 8 mm top plate and 3 mm bottom plate***
									Type	3 = 9 mm pitch (for internal CBD6S or external CBD6S) 6 = 12 mm pitch (for internal CBD6S or external CBD6S) 7 = 6 mm pitch (for internal CBD6S or external CBD6S) (only 8 mm end plates and max. 300 mm stroke)
									Produkt	2 = 2-part aluminium lifting column DL = DESKLIFT

* The mains cable:
The DL2 with a built-in CBD6S is delivered with a fixed mains cable (Coiled cable and cable with earth connection are no options)
The cable length will be reduced by 300 mm +/- 100 mm compared to the standard length

** For mounting of the desk frame the following screws are delivered: 8 x DG 80x35

*** For mounting of the desk frame the following screws are delivered: 4 x DG 80x35

Terms of use

The user is responsible for determining the suitability of LINAK products for specific application. LINAK takes great care in providing accurate and up-to-date information on its products.

However, due to continuous development in order to improve its products, LINAK products are subject to frequent modifications and changes without prior notice. Therefore, LINAK cannot guarantee the correct and actual status of said information on its products.

While LINAK uses its best efforts to fulfill orders, LINAK cannot, for the same reasons as mentioned above, guarantee the availability of any particular product. Therefore, LINAK reserves the right to discontinue the sale of any product displayed on its website or listed in its catalogues or other written material drawn up by LINAK.

All sales are subject to the Standard Terms of Sale and Delivery for LINAK. For a copy hereof, please contact LINAK.