

Project name	DS-080XM-01	
Document type	Mini spec	
Customer	Standard	
Document revision	A	Date: 18/06/2024

Internal Approvals		
Product Mgr	Doc. Control	Electr. Eng.
Bazile Peter	Bazile Peter	Chris Strellis
Date: 18/06/2024	Date: 18/06/2024	Date: 18/06/2024

Revision Record

Rev.	Date	Page	Chapt.	Comment	ECR no.
A	19/06/2024	--	--	Initial Release	

Table of Contents

1.0 GENERAL DESCRIPTIONS	4
1.1 Introduction	4
2.0 TECHNICAL SPECIFICATIONS	5
2.1 ProDeck variants	5
2.2 Product features:	6
2.3 Display & Touch module	8
2.3.1 SKU1: Display with CTP	8
2.3.2 SKU2: 40 Button	8
2.3.3 SKU3: 24 buttons with touch	9
2.4 Mechanical drawing	10
2.4.1 SKU1: Display with CTP	10
2.4.2 SKU2: 40 buttons	11
2.4.3 SKU2: 24 buttons with touch	12
3.0 PACKAGING	14
3.1 Labelling and Marking	14
3.2 Packaging	14
4.0 ENVIRONMENTAL AND SAFETY	14
5.0 ORDERING AND PRODUCT	15
5.1 Ordering part number	15

1.0 General Descriptions

1.1 Introduction

The ProDeck is a standalone control surface solution, combining integrated, embedded computing power with a touch-controlled display.

- All-in-one standalone control surface
- Intel Atom CPU
- Compatible with Windows 11 and Linux OS
- Easy to install Windows or Linux compatible software
- Communicate with existing systems via Ethernet or USB
- POE+ and 12V power inputs allow flexibility and redundancy
- 8" high resolution, wide viewing angle display
- Suitable for commercial and industrial applications
- Available with 24 or 40 tactile buttons (Tactila) or with Touch Screen only

2.0 TECHNICAL SPECIFICATIONS

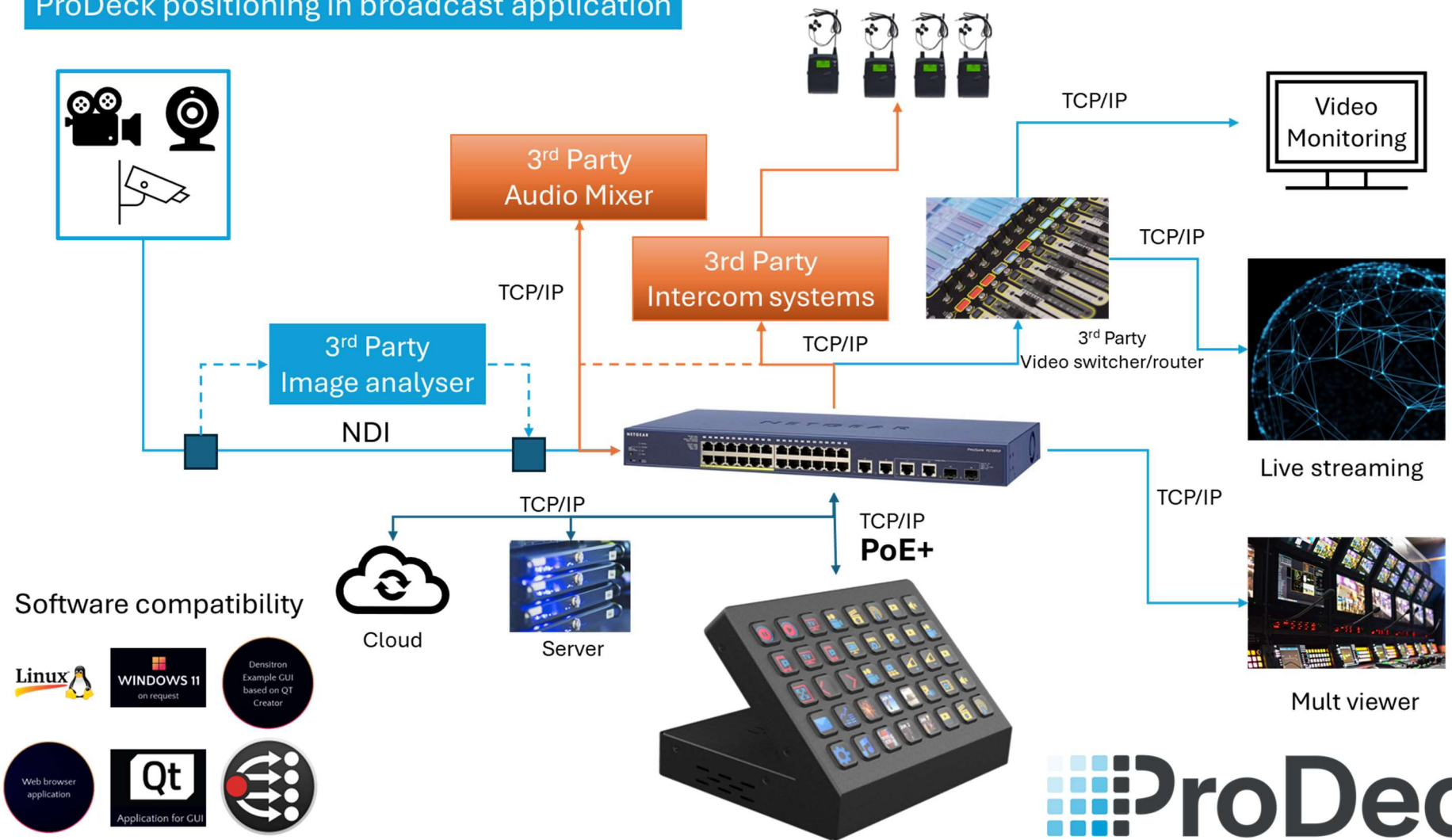
2.1 ProDeck variants

Item	Contents
ProDeck variant	
<p style="text-align: center;">SKU1 Touch only</p>	
<p style="text-align: center;">SKU2 40 Buttons</p>	
<p style="text-align: center;">SKU3 24 Buttons with touch</p>	

2.2 Product features:

Item		Contents
System	Processor	Intel Atom x7211E – 3.20 GHz (2 Core)
	Cache	6 MB
	GPU	Intel® UHD Graphics, up to 1.00 GHz
	Memory	LPDDR5, 5500 MTPs, 8GB, on board
	Storage	eMMC, 64GB, on board
	Lan	Gigabit Ethernet x1
	RTC	Support
	Power	Dual input, power redundant 12V Locking DC Jack 30W RJ45 POE+
	I/O (External)	1 x USB 2.0 1 x 12V Locking DC Jack 1 x RJ45 POE+

ProDeck positioning in broadcast application



2.3 Display & Touch module

2.3.1 SKU1: Display with CTP

Item	Contents
Display Type	8" TFT LCD
Resolution	1280 x RGB X 800
Display Colour	16.7M
Brightness	Min. 350 cd/m ²
Viewing Direction	80/80/80/80
Mode	Normally Black / Transmissive
Touch Type	PCAP
Touch Point	Multiple touch point, up to 5 fingers
Weight	1800g
Touch Active Area	107.64(H)*172.224(V)

2.3.2 SKU2: 40 Button

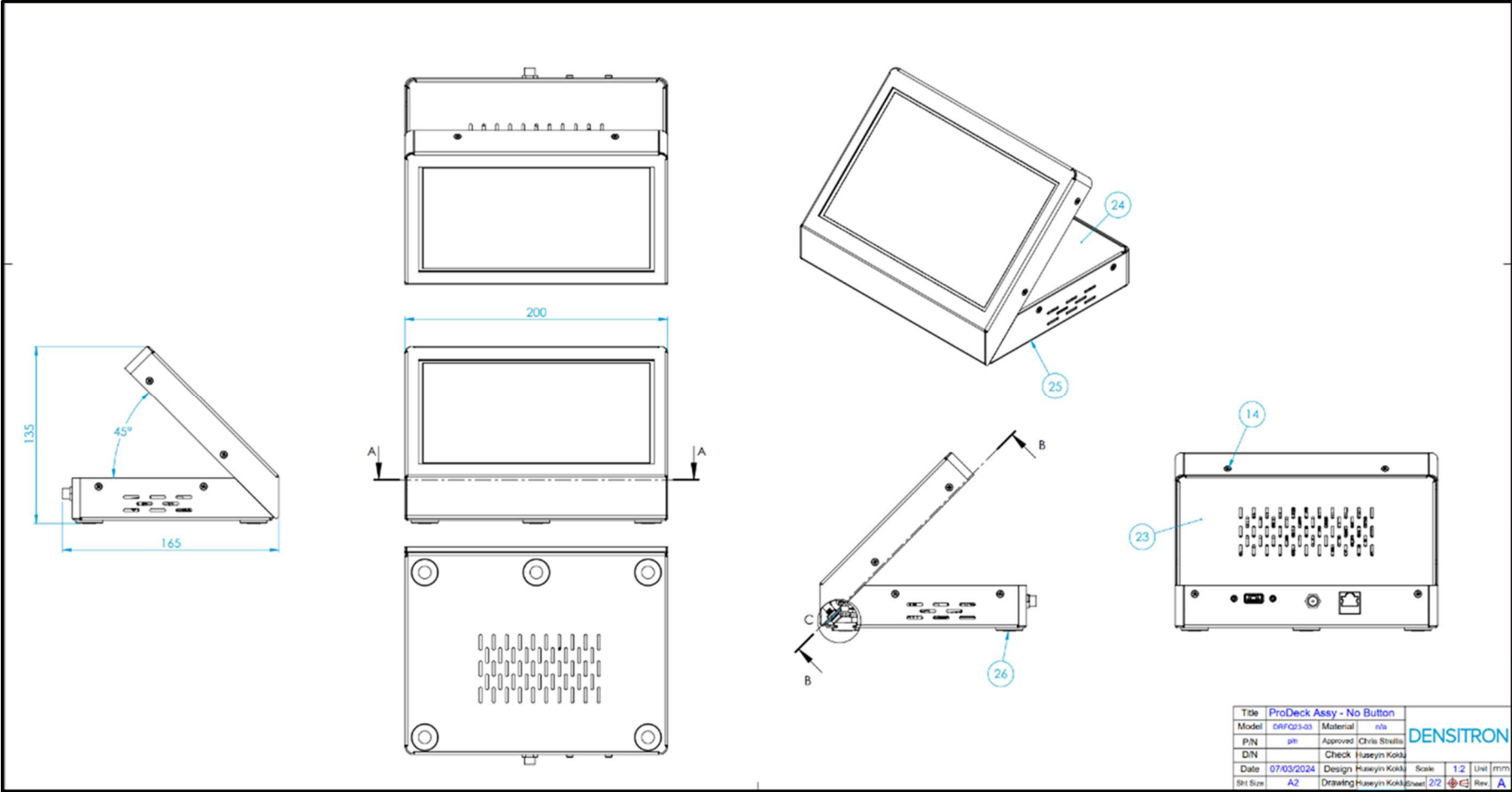
Item	Contents
Display Type	8" TFT LCD
Resolution	1280 x RGB X 800
Display Colour	16.7M
Brightness	Min. 350 cd/m ²
Viewing Direction	160° /160° (Typ.)
Mode	Normally Black / Transmissive
Number of buttons	40 buttons 5 x 8
Multi Touch	Up to 5 simultaneous inputs
Weight	1800g
Active Area (Single Button)	13.19 mm ² per button

2.3.3 SKU3: 24 buttons with touch

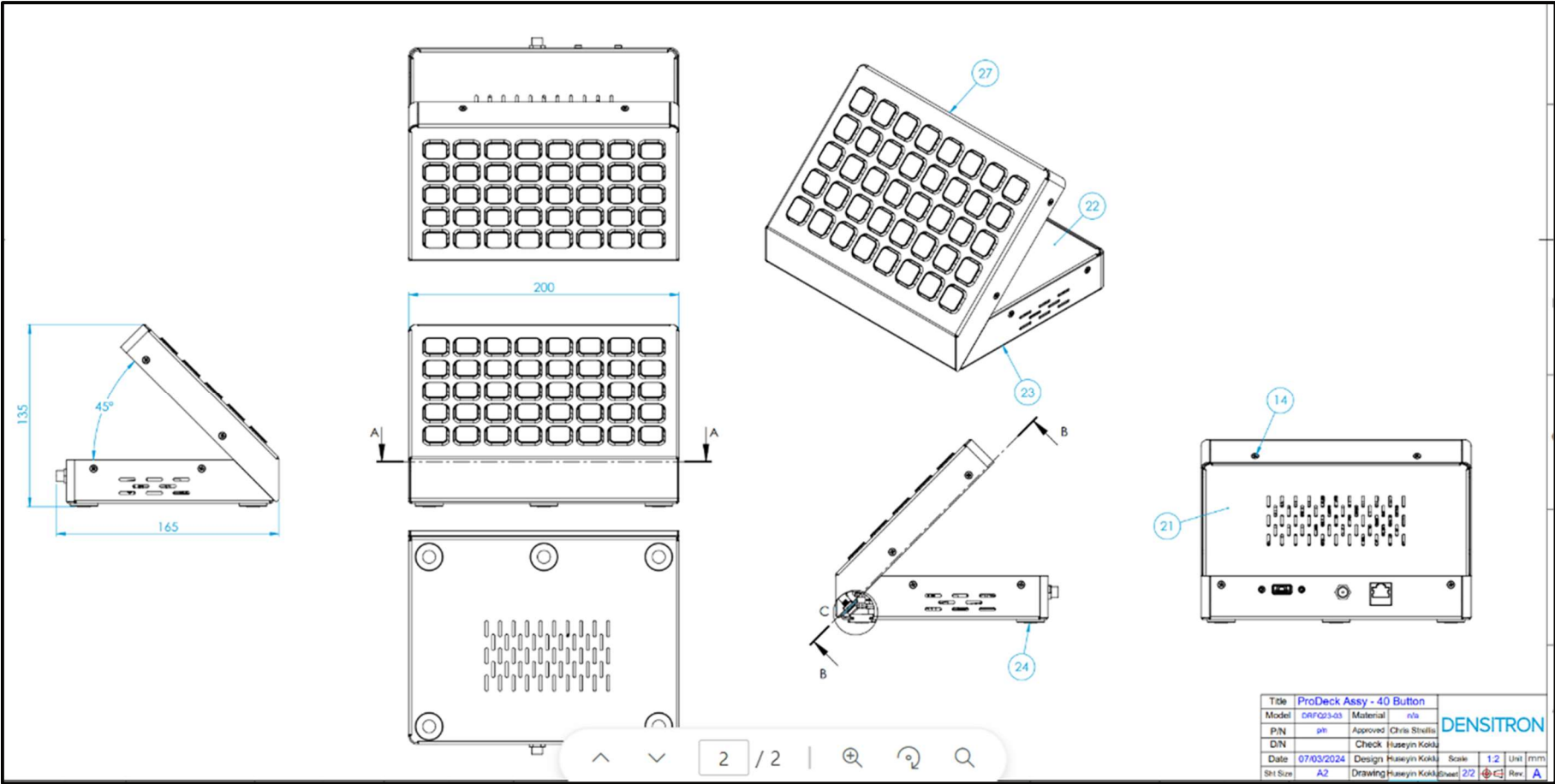
Item	Contents
Display Type	8" TFT LCD
Resolution	1280 x RGB X 800
Display Colour	16.7M
Brightness	Min. 350 cd/m ²
Viewing Direction	80/80/80/80
Mode	Normally Black / Transmissive
Touch Type	PCAP
Multi Touch	Up to 5 simultaneous inputs
Number of buttons	24 buttons – 3 x 8
Weight	1800g
Touch Active Area (mm)	TBC
Button Active Area	13.19 mm ² per button

2.4 Mechanical drawing

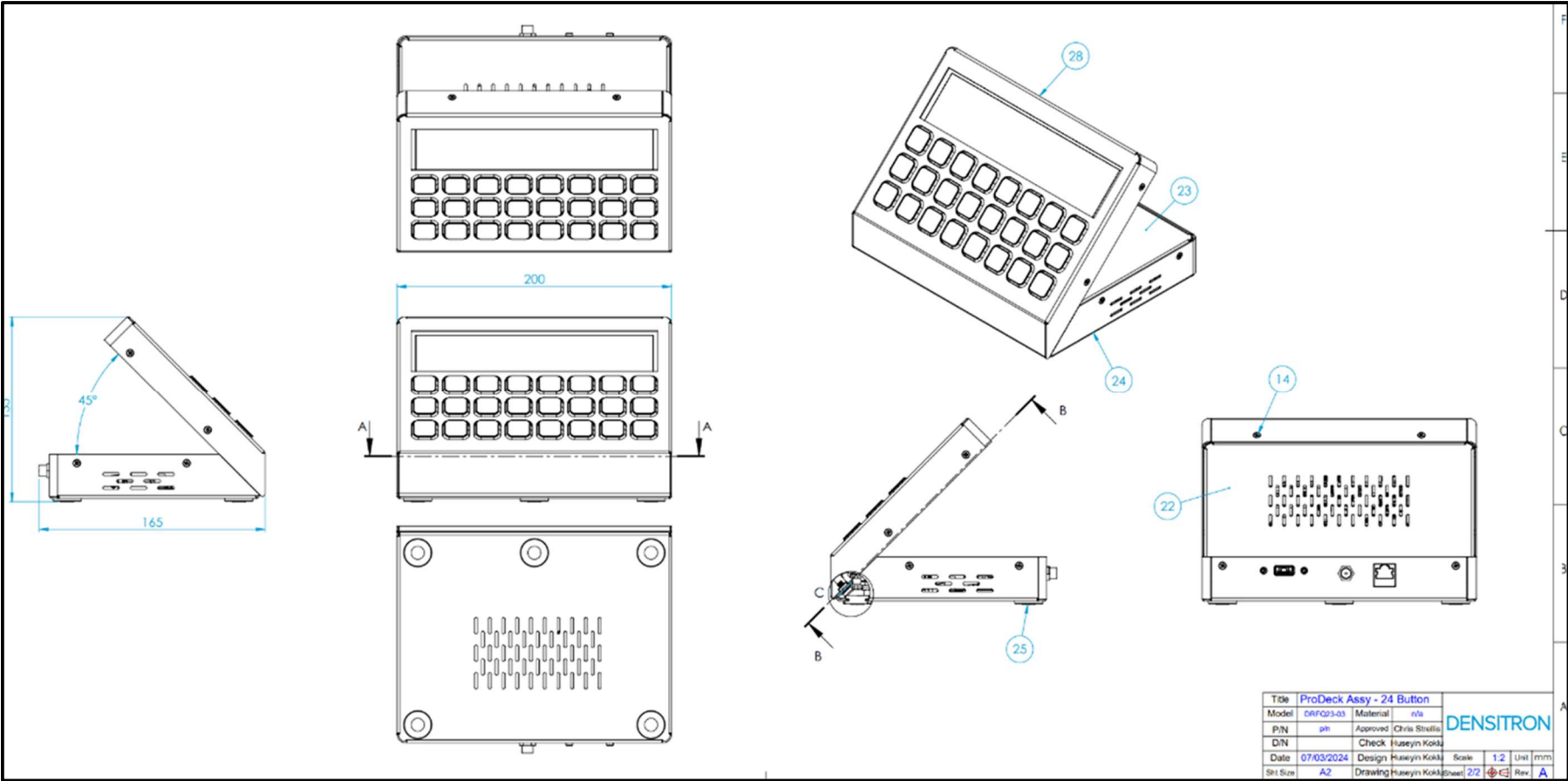
2.4.1 SKU1: Display with CTP



2.4.2 SKU2: 40 buttons



2.4.3 SKU2: 24 buttons with touch





3.0 Packaging

3.1 Labelling and Marking

(To be updated if needed)

3.2 Packaging

Item	Contents
Carton	1 per box
Pallet	TBD

4.0 Environmental and Safety

Item	Contents
Operating Temperature	0~45 degree centigrade
Storage Temperature	-10~60 degree centigrade
Relative Humidity	95%@40 degree centigrade, non-condensing
Operating Vibration	1Grms/5~500Hz, IEC 60068-2-64
Non-Operating Shock	30Grms, 11ms, IEC 60068-2-27
ESD Protection	±8KV contact/±15KV air, IEC 61000-4-2 Criteria B
EMI	CE/FCC Class A

5.0 Ordering and product

5.1 Ordering part number

Size	Description
SKU1 Touch only	
Part number	9950080001

Size	Description
SKU2 40 buttons	
Part number	9950080002

Size	Description
SKU3 24 buttons with touch	
Part number	9950080003