

Main status indicators

- Off No power
- Green Operating - Video, USB and network link all present
- Orange Operating - But video, USB and/or network link missing.
- Green or orange flashing A user is connected.
- Red (momentarily) Unit is booting up, or (consistently) Unit has failed, try rebooting.
- Red/green flashing Unit is in backup mode.
- Blue Factory reset has been activated.
- Red/blue flashing Unit is in upgrade mode.

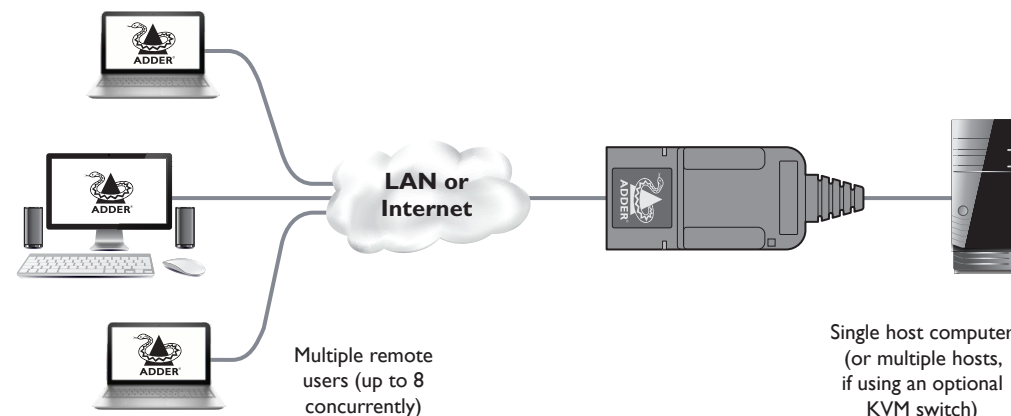
SCAN FOR
PRODUCT PAGE



www.adder.com

Welcome

This quick start guide covers some of the key points of the ADDERLink Portal dongle. In combination with Adder's ARDx Viewer, each ADDERLink Portal dongle provides highly secure remote connectivity across the Internet or corporate network. Full user details and setup instructions can be found in the Downloads section at www.adder.com/en/kvm-solutions/adderlink-portal-r100-dp



Highly secure

Enterprise grade security (using 256-bit encryption and RSA 2048-bit public key authentication) is employed as standard. This is further enhanced by the Adder ARDx Viewer, which allows the creation of ciphered user communications.

User management

An unlimited number of user profiles (normal users plus those with admin rights) can be associated with the ADDERLink Portal dongle. At any one time up to 8 remote users may access the unit simultaneously, subject to available network bandwidth and content.

High quality remote video

Despite its small size the ADDERLink Portal dongle offers video streaming at resolutions up to 1920 x 1080 at frames rates up to 60fps with non-blocking access for up to eight remote users.

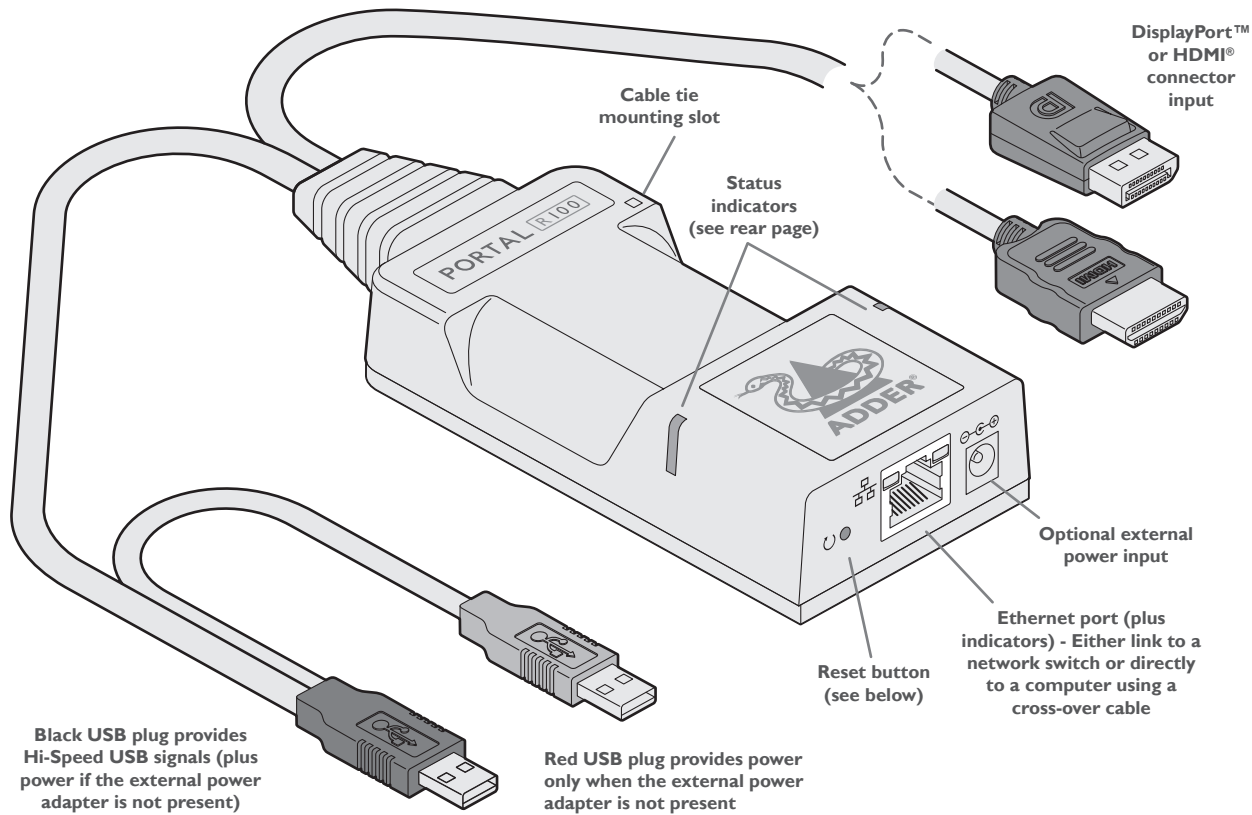
EDID management

The ADDERLink Portal dongle has intelligent EDID management allowing the user to specify the video modes generated by the controlled device.

Initial configuration

Please see the next page for **Connection** details.

Connections



Power sourcing summary

| Power adapter | Black USB | Red USB | Power sourced... |
|---------------|-----------|---------|--|
| ✗ | ✓ | ✓ | ...from both USB plugs. |
| ✓ | ✓ | ✗ | ...from power adapter only. |
| ✓ | ✓ | ✓ | ...from power adapter only, unless it becomes unavailable, in which case power will be taken from both USB plugs after a short interruption. |

To perform a manual factory reset

A factory reset returns the ADDERLink Portal dongle to its default configuration.

- 1 Power on the ADDERLink Portal dongle.
- 2 Use a narrow implement (e.g. a straightened-out paper clip) to press-and-hold the recessed reset button on the front panel for roughly fifteen seconds, until the status indicators turn **blue** (Note: alternating red/green indications will occur during the fifteen second period while the button is still pressed).
- 3 Release the reset switch. The indicators will remain **blue** for a short while (less than ten seconds) while the unit configures itself and should then change to **green** if all connections are correct; or **orange** if one or more of the video, USB and/or network links are missing.

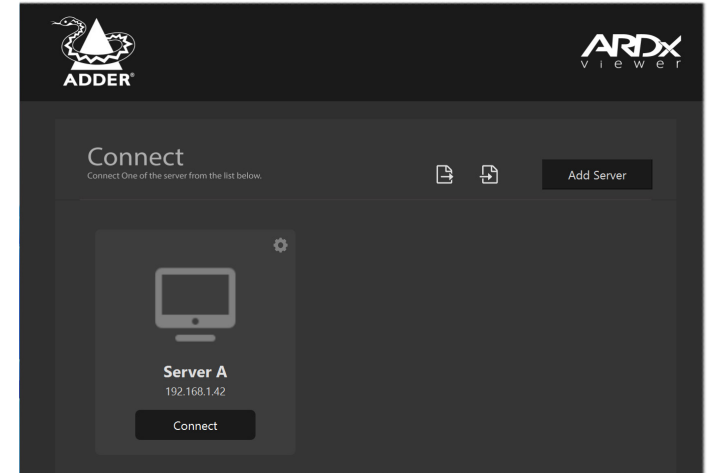
NOTE: If you are performing a factory reset and intend to disconnect the power immediately after the reset, you must wait at least 30 seconds after you have released the reset button for it to complete the process.

Adder ARDx Viewer

The ARDx Viewer allows you to remotely connect with multiple server systems via ADDERLink Portal dongles.

To make a remote server connection

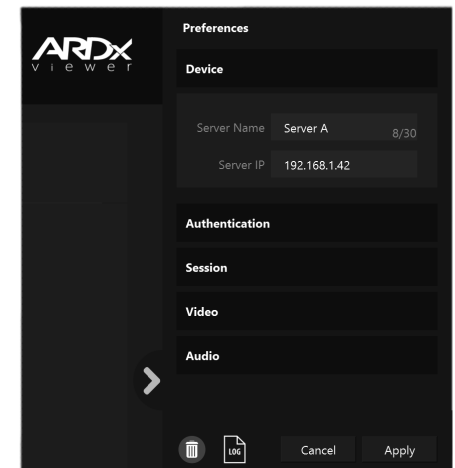
- 1 Run the ARDx Viewer to view the Connect page. All registered server entries will be displayed within the Connect area:



- 2 Click the *Connect* button of the required server to begin a connection.
- 3 If login details are requested, enter a valid password and click *OK*.

An ARDxViewer window will be opened.

- 4 To add a server, click 'Add Server' and complete the required fields. The default ADDERLink Portal dongle IP address is *192.168.1.42*



Full user details and setup instructions can be found in the Downloads section at: www.adder.com/en/kvm-solutions/adderlink-portal-r110-dp