

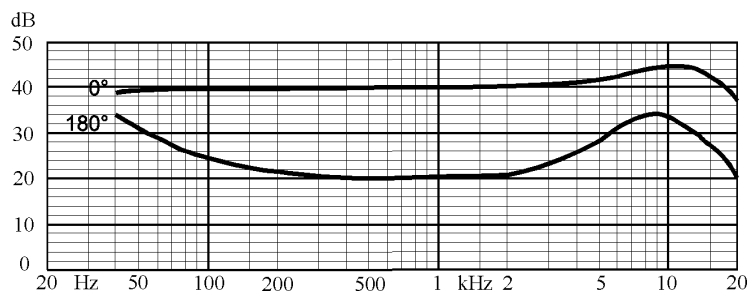
With focus on detail. Designed to yield maximum clarity, when dealing with fast transients and abundant high frequency content.

- **Balanced, transformerless**
- **- 12 dB pre-attenuation**
- **12 - 52 V phantom**

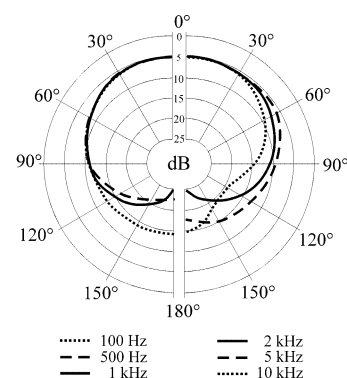
Frequency response ( see graph )	20 - 20 000 Hz
Polar pattern	Cardioid
Pre-attenuation ( switchable )	-12 dB
Max. SPL ( 1% THD at 1 kHz)	128 / 140 dB
Sensitivity at 1kHz	14,5 mV / Pa $\pm$ 1 dB
A-weighted noise level	21 dB
Power supply ( DIN 45 596 )	12 - 52 V
Current consumption	4 mA
Output impedance	< 200 $\Omega$
Minimum load impedance	1 k $\Omega$
Connection	3-pin XLR pin 1: earth ( Shield ) pin 2: plus ( Hot ) pin 3: minus ( Cold )
Net weight	130 g
Lenght	1260 mm
Diameter	21 mm

### Frequency response (at 1m distance)

The frequency response may vary within  $\pm 2,5$  dB of the published graph.  
Before delivery, each microphone is measured and accompanied with it's own graph.



### Polar diagram



### Milab Microphones AB

Mailing address  
P. O. Box 1342  
S-251 13 HELSINGBORG  
SWEDEN

Office address  
Norra Strandgatan 4

Phone  
+46 42 381620

Fax  
+46 42 136350

E-mail  
milab@milabmic.com

Internet  
www.milabmic.com