



HANDBOOK

# SignalLED

## Studio Illuminated Signs



Manufacturers of audio & video  
products for radio & TV broadcasters

**SONIFEX**

This handbook is for use with all SignalLED signs which use the LD-RPC remote control for programming  
Stock Code: 30-234

©Sonifex Ltd, 2014  
All Rights Reserved  
Revision 2.08, July 2014

Sonifex Ltd, 61, Station Road, Irthlingborough,  
Northants, NN9 5QE, England.  
Tel: +44 (0)1933 650 700  
Fax: +44 (0)1933 650 726  
Email: [sales@sonifex.co.uk](mailto:sales@sonifex.co.uk)  
Website: <http://www.sonifex.co.uk>

Information in this document is subject to change without notice and does not represent a commitment on the part of the vendor. Sonifex Ltd shall not be liable for any loss or damage whatsoever arising from the use of information or any error contained in this manual.

No part of this manual may be reproduced or transmitted in any form or by any means, electronic or mechanical, including photocopying, recording, information storage and retrieval systems, for any purpose other than the purchaser's personal use, without the express written permission of Sonifex Ltd. Unless otherwise noted, all names of companies, products and persons contained herein are part of a completely fictitious adaptation and are designed solely to document the use of Sonifex product.

Made in the UK by **SONIFEX**

# Contents

## Product Warranty - 2 Year Extended

### Sonifex Warranty & Liability Terms & Conditions

1. Definitions
2. Warranty

### Unpacking Your Product

### Repairs & Returns

### WEEE Directive

### RoHS Directive

### Atmosphere

### Handling Notes

## Power Supply Approval Documents

### Introduction

### Installation

#### Mounting The Sign

- Opening The End Covers

#### LD-20F1 & LD-40F1 Flush Sign Mounting Requirements

#### End Mounting Requirements

#### LD-KC1 Ceiling Mounting Kit

- Connecting The Power and Signal Connections For Flush Mounted Signs

- Connecting The Power & Signal Connections For End Mounted Signs

- Power Supply

#### 7V-36V Extended DC Voltage Option

## Programming Colour & Illumination Modes

### Setting The Colour & Display Mode(s) of The Sign

- Enter Programming Mode
- Setting The LED Sections of The Sign
- Setting The Colour of The Section/Sign
- Setting The Sign Brightness
- Setting The Illumination Mode
- If The Sign Appears To Be Off
- Resetting The Sign to Factory Defaults

## Technical Specifications

### Appendix 1

#### LD-KE1 SignalLED Conversion Kit, Single Flush Mount to End Mount

i  
i  
i  
iii  
iii  
vi  
vi  
vi  
v  
1  
1  
1  
2  
2  
3  
3  
3  
3  
4  
5  
6  
6  
6  
7  
7  
8  
8  
8  
9  
11  
11

Right Hand Side Fitting of the Conversion Kit	11
Left Hand Side Fitting of the Conversion Kit	13
<b>Appendix 2</b>	<b>14</b>
<b>SignalLED Preconfigurations</b>	<b>14</b>

## Figures

Fig 1-1: Australia Certificate of Approval	v
Fig 1-2: CB Certificate of Approval	v
Fig 1-3: CE Certificate of Approval	v
Fig 1-4: UL Certificate of Approval	v
Fig 2-1: LD-20F1 & LD-40F1 Flush Sign Mounting Requirements	2
Fig 2-2: End Mounting Requirements	2
Fig 2-3: LD-KC1 Ceiling Mounting Kit	3
Fig 2-4: Cable Routing Cut-Outs	3
Fig 2-5: Opening The Access Door	3
Fig 2-6: Mode Settings & Connection Block	3
Fig 2-7: LD-IT End Mount Sign Installation Tool	4
Fig 2-8: Opening The Access Door	4
Fig 2-9: Wire link To Illuminate Sign When Powered	4
Fig 3-1: IR Opening & Input LEDs	6
Fig 3-2: Input States	6
Fig 3-3: Operation of DIVIDE	7
Fig 3-4: Colour Table	8
Fig 3-5: Illumination Mode Table	8
Fig 5-1: Sign Components to be Converted	11
Fig 5-2: Kit Components Used for the Conversion	12
Fig 5-3: Removing the Left Hand Assembly	12
Fig 5-4: Removing the Right Hand Flush Wall Moulding	12
Fig 5-5: Right Hand Conversion Re-Assembly	12
Fig 5-6: Left Hand Conversion Re-Assembly	13

# SONIFEX

## Register Online for an Extended 2 Year Warranty

As standard, Sonifex products are supplied with a 1 year back to base warranty.

If you register the product online, you can increase your product warranty to 2 years and we can also keep you informed of any product design improvements or modifications.

To register your product, please go online to [www.sonifex.co.uk/register](http://www.sonifex.co.uk/register)

## Product Warranty - 2 Year Extended

As standard, Sonifex products are supplied with a 1 year back to base warranty. In order to register the date of purchase and so that we can keep you informed of any product design improvements or modifications, it is important to complete the warranty registration online. Additionally, if you register the product on the Sonifex website within 30 days of purchase, you can increase your product warranty to 2 years. Go to the Sonifex website at: <http://www.sonifex.co.uk/technical/register/index.asp> to apply for your 2 year warranty.

**Note:** For your own records the product serial number is recorded on the CE certification page of this handbook.

## Sonifex Warranty & Liability Terms & Conditions

### 1. Definitions

‘the Company’ means Sonifex Ltd and where relevant includes companies within the same group of companies as Sonifex Limited.

‘the Goods’ means the goods or any part thereof supplied by the Company and where relevant includes: work carried out by the Company on items supplied by the Purchaser; services supplied by the Company; and software supplied by the Company.

‘the Purchaser’ means the person or organisation who buys or has agreed to buy the Goods.

‘the Price’ means the Price of the Goods and any other charges incurred by the Company in the supply of the Goods.

‘the Warranty Term’ is the length of the product warranty which is usually 12 months from the date of despatch; except when the product has been registered at the Sonifex website when the Warranty Term is 24 months from the date of despatch.

‘the Contract’ means the quotation, these Conditions of Sale and any other document incorporated in a contract between the Company and the Purchaser.

This is the entire Contract between the parties relating to the subject matter hereof and may not be changed or terminated except in writing in accordance with the provisions of this Contract. A reference to the consent, acknowledgement, authority or agreement of the Company means in writing and only by a director of the Company.

### 2. Warranty

- (a) The Company agrees to repair or (at its discretion) replace Goods which are found to be defective (fair wear and tear excepted) and which are returned to the Company within the Warranty Term provided that each of the following are satisfied:
- (i) notification of any defect is given to the Company immediately upon its becoming apparent to the Purchaser;
  - (ii) the Goods have only been operated under normal operating conditions and have only been subject to normal use (and in particular the Goods must have been correctly connected and must not have been subject to high voltage or to ionising radiation and must not have been used contrary to the Company’s technical recommendations);
  - (iii) the Goods are returned to the Company’s premises at the Purchaser’s expense;
  - (iv) any Goods or parts of Goods replaced shall become the property of the Company;
  - (v) no work whatsoever (other than normal and proper maintenance) has been carried out to the Goods or any part of the Goods without the Company’s prior written consent;

- (vi) the defect has not arisen from a design made, furnished or specified by the Purchaser;
  - (vii) the Goods have been assembled or incorporated into other goods only in accordance with any instructions issued by the Company;
  - (viii) the defect has not arisen from a design modified by the Purchaser;
  - (ix) the defect has not arisen from an item manufactured by a person other than the Company. In respect of any item manufactured by a person other than the Company, the Purchaser shall only be entitled to the benefit of any warranty or guarantee provided by such manufacturer to the Company.
- (b) In respect of computer software supplied by the Company the Company does not warrant that the use of the software will be uninterrupted or error free.
- (c) The Company accepts liability:
- (i) for death or personal injury to the extent that it results from the negligence of the Company, its employees (whilst in the course of their employment) or its agents (in the course of the agency);
  - (ii) for any breach by the Company of any statutory undertaking as to title, quiet possession and freedom from encumbrance.
- (d) Subject to conditions (a) and (c) from the time of despatch of the Goods from the Company's premises the Purchaser shall be responsible for any defect in the Goods or loss, damage, nuisance or interference whatsoever consequential economic or otherwise or wastage of material resulting from or caused by or to the Goods. In particular the Company shall not be liable for any loss of profits or other economic losses. The Company accordingly excludes all liability for the same.
- (e) At the request and expense of the Purchaser the Company will test the Goods to ascertain performance levels and provide a report of the results of that test. The report will be accurate at the time of the test, to the best of the belief and knowledge of the Company, and the Company accepts no liability in respect of its accuracy beyond that set out in Condition (a).
- (f) Subject to Condition (e) no representation, condition, warranty or other term, express or implied (by statute or otherwise) is given by the Company that the Goods are of any particular quality or standard or will enable the Purchaser to attain any particular performance or result, or will be suitable for any particular purpose or use under specific conditions or will provide any particular capacity, notwithstanding that the requirement for such performance, result or capacity or that such particular purpose or conditions may have been known (or ought to have been known) to the Company, its employees or agents.
- (g) (i) To the extent that the Company is held legally liable to the Purchaser for any single breach of contract, tort, representation or other act or default, the Company's liability for the same shall not exceed the price of the Goods.
- (ii) The restriction of liability in Condition (g)(i) shall not apply to any liability accepted by the Seller in Condition (c).
- (h) Where the Goods are sold under a consumer transaction (as defined by the Consumer Transactions (Restrictions on Statements) Order 1976) the statutory rights of the Purchaser are not affected by these Conditions of Sale.

## Unpacking Your Product

Each product is shipped in protective packaging and should be inspected for damage before use. If there is any transit damage take pictures of the product packaging and notify the carrier immediately with all the relevant details of the shipment. Packing materials should be kept for inspection and also for if the product needs to be returned.

The product is shipped with the following equipment so please check to ensure that you have all of the items below. If anything is missing, please contact the supplier of your equipment immediately.

Item	Quantity
Product Unit	1
Power Supply	1
Handbook and warranty card	1

If you require a different power lead, please let us know when ordering the product.

## Repairs & Returns

Please contact Sonifex or your supplier if you have any problems with your Sonifex product. Email [technical.support@sonifex.co.uk](mailto:technical.support@sonifex.co.uk) for the repair/upgrade/returns procedure, or for support & questions regarding the product operation.



# SONIFEX

61 Station Road • Irthlingborough • Northants  
 NN9 5QE • United Kingdom • www.sonifex.co.uk  
 T: +44 (0)1933 650 700 • F: +44 (0)1933 650 726

## CE Declaration of Conformity and Approval Information

**CE** This document certifies that the Sonifex product that you have purchased is compliant with CE specifications. If you would like further information on compliance of all Sonifex products, please check the website at the address above where full information is available.

**Sonifex Limited hereby certify that the following product with serial number shown has been designed and manufactured in accordance with the following specifications :**

**EMC:** EN 55103-1: 1997 Electromagnetic Compatibility.  
 Limits of disturbance for audio apparatus for professional use  
 For use in environments 1 to 4.

EN 55103-2: 1997 Electromagnetic Compatibility.  
 Limits of disturbance for audio apparatus for professional use  
 For use in environments 1 to 4.

**Safety:** EN 60950: 1992 Safety of Information Technology Equipment  
 Including Electrical Business Equipment.

**Hybrid** BS6301, BS7002, BS415, CTR21,

**Approvals:** R&TTE directive (1999/5/EC)

Product: \_\_\_\_\_

Serial No: \_\_\_\_\_

The Reference Technical Justification File for this product is available at Sonifex Ltd.

**Authorised By:**

Name: Chris Stills

Position: Technical Director

Date of Issue: 01 July 2014

Signature:



# Power Supply Approval Documents

The power supply used with the SignalLEDs is UL, EC and CC approved.

For a more detailed view of the certificates, please check online at:

<http://www.sonifex.co.uk/signalled/index.shtml>



Fig 1-1: Australia Certificate of Approval



Fig 1-2: CB Certificate of Approval



Fig 1-3: CE Certificate of Approval



Fig 1-4: UL Certificate of Approval

### WEEE Directive



The Waste Electrical and Electronic Equipment (WEEE) Directive was agreed on 13 February 2003, along with the related Directive 2002/95/EC on Restrictions of the use of certain Hazardous Substances in electrical and electronic equipment (RoHS). The Waste Electrical and Electronic Equipment Directive (WEEE) aims to minimise the impacts of electrical and electronic equipment on the environment during their life times and when they become waste. All products manufactured by Sonifex Ltd have the WEEE directive label placed on the case. Sonifex Ltd will be happy to give you information about local organisations that can reprocess the product when it reaches its “end of use”, or alternatively all products that have reached “end of use” can be returned to Sonifex and will be reprocessed correctly free of charge.

### RoHS Directive



The RoHS directive limits the use of certain hazardous substances currently used in EEE manufacture, including lead, mercury, cadmium, hexavalent chromium, and halide-containing compounds PBB (polybrominated biphenyl) and PBDE (polybrominated diphenyl ether). Elimination of these substances will result in more environmentally friendly recycling of electronic equipment.

Sonifex Ltd practices lead-free (LF) manufacturing processes and does not use any of the hazardous substances identified in the European Union’s Restriction of Hazardous Substances (RoHS) directive. The manufacturing

processes include the assembly of purchased components from various sources. Product is offered as RoHS compliant, or LF, only after sufficient evidence is received from the component manufacturers that their components are RoHS compliant. Sonifex Ltd relies solely on the distributor, or manufacturer, of the components for identification of RoHS compliance. Thus whilst every effort is made to ensure compliance, Sonifex Ltd makes no warranty, or certification, or declaration of compliance concerning said components.

### Atmosphere

The units should be installed in an area that is not subject to excessive temperature variation (<0°C, >50°C), moisture, dust or vibration.

### Handling Notes

The SignalLED sign should be installed in an area which is not subject to excessive heat or cold. Also, you should avoid installing it in atmospheric conditions which are dusty, smoky, or dirty, or where there is moisture or vibration. The sign is for internal use only. The unit is not sealed and cannot be used outside or in very damp or humid environments.

Do not use any solvents to clean the sign. Use a soft dry brush or a clean cloth moistened with water or mild detergent.

Avoid using the SignalLED sign close to strong sources of electromagnetic radiation such as video monitors or high power electric cabling.

In all cases the SignalLED sign should be installed and serviced by qualified personnel.

## Introduction

The SignalLED sign is a new elegant approach to illuminated displays and signage. Using the latest technology and components, the SignalLED sign can be simply configured onsite for colour, brightness and mode using the LD-RPC remote control.

- Choose from white, orange, brick red, cyan, red, magenta, blue, yellow or green.
- Choose from a large range of different sign text.
- Illumination modes: constant, flashing, pulsing, fading and off.
- Two control pull-low inputs.
- Single or twin signs with separate controls.
- DC input power supply provided.
- Flush mounted to the wall or end mounted.
- Simple to install.
- Custom signs can be made to order.

## Installation

### Mounting The Sign

Route the signal and power supply cables before finalising the mounting of the sign. These cables can be routed either through the aperture, or through the cable cut-outs in the back of the wall mount moulding.

The LED sign should be mounted on a firm solid surface. The sign is supplied with a mounting kit comprising 2 x wall plugs and 2 x large flange screws.

Note: You'll need the following tools to mount the sign: an electric drill fitted with a 6mm diameter masonry drill bit, a No.1 Pozi-drive screwdriver and a spirit level.

- Drill 2 holes, approximately 34mm deep, using a 6mm diameter masonry drill at the pitch shown on the drawings.
- Insert the wall plugs flush with the surface.
- Use a spirit level on the aluminium tube section to set the sign level before fully tightening.

The screws can also be used for fixing into wood. For correct fitting drill a small pilot hole into the wood before fitting the screw.

### Opening The End Covers

To get access to the sign mounting points, the side covers need to be opened. Use a No.1 Pozi-drive screwdriver to unscrew the side cover and gently slide the cover forward approximately 8mm until it reaches the stops. Pivot open the cover. **Please note:** do not to use excessive force when opening the cover.

## LD-20F1 & LD-40F1 Flush Sign Mounting Requirements

This sign is to be mounted flush to a wall. Minimum clearances from the sign to an adjacent wall or ceiling are shown below.

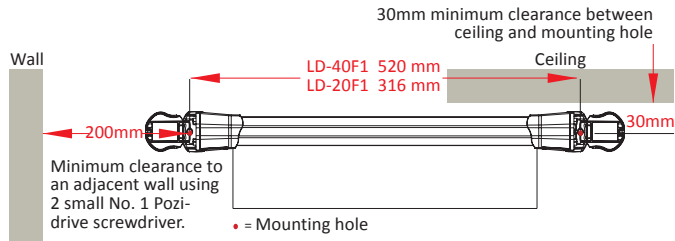


Fig 2-1: LD-20F1 & LD-40F1 Flush Sign Mounting Requirements

An absolute minimum of 60mm is required for the opened end cap, a right angled screwdriver would be needed to screw (unscrew) the end cap retaining screw.

## End Mounting Requirements

To create an attractive invisible-fixing finish, the SignalLED assembly is clipped into a wall mount plate. The wall mount plate must be securely fitted to a smooth, solid surface before attempting to fit the SignalLED assembly. Drill 2 holes, approximately 34mm deep, using a 6mm diameter masonry drill, and attach the wall mount plate (coloured red in the illustration above) to the wall. At this point, the LD-IT, end-mount installation tool can be used to hold the sign in place while you connect the power and signal cables. The cable retention clips can be used to hold the cables in the sign. See information on connecting the Power and Signal cables.

The sign is fitted by locating the four internal hanger plate hooks into the four slots in the wall mount plate. Once located, hold the sign around the

end moulding of the SignalLED assembly (where the door is fitted) and press down into its final position. The sign retaining pins will clip into the indentations on the side of the wall mount plate and this should result in a click as the plastic pins move into their final position.

**Note:** a reasonable amount of force is needed to fully connect the LED sign assembly to the wall plate.

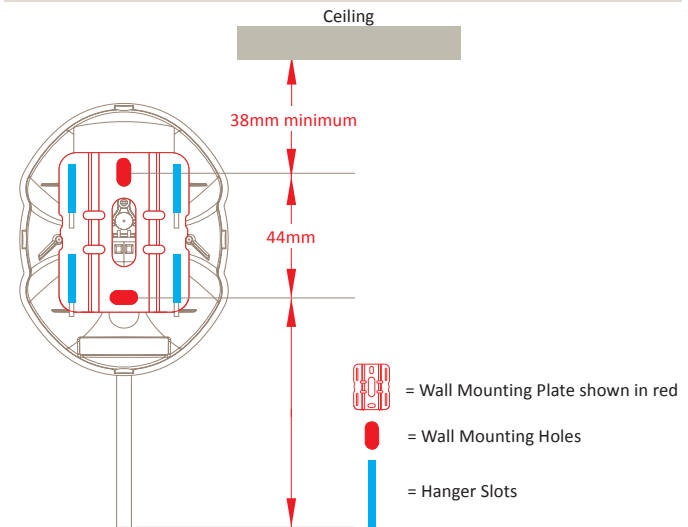


Fig 2-2: End Mounting Requirements

### LD-KC1 Ceiling Mounting Kit

Open the end covers of the sign. Take the 5mm screw out of each of the LD-KC1 brackets and use the screws to attach the sign covers to them, where indicated on the drawing below. Ensure that the sign cover sits comfortably against the metal plates on each of the bracket.

The LD-KC1 ceiling mounting kit can be used for mounting a 40cm or 20cm flush mounting sign either down from the ceiling or up from a surface, e.g. table-top or top of a rack.

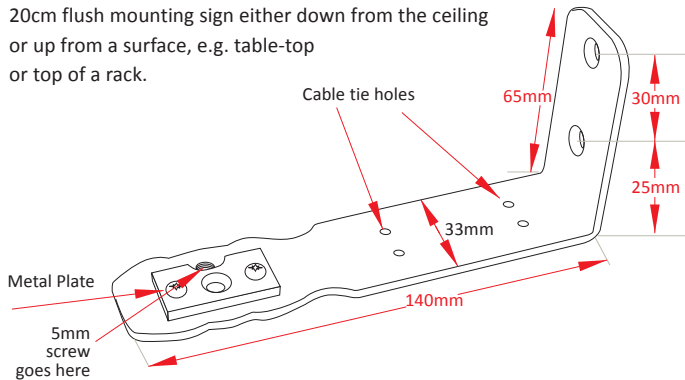


Fig 2-3: LD-KC1 Ceiling Mounting Kit

### Connecting The Power and Signal Connections For Flush Mounted Signs

To get access to the cable connection block and the mode switches which are on the PCB inside the sign, the door on the underside of the end plastic moulding must be opened.

To open the door push the clip towards the sign and pull down on the small lip, see Fig 2-5. Do not attempt to remove the door from the end moulding. Access to the connection block and the mode switches is possible with the door fully open.

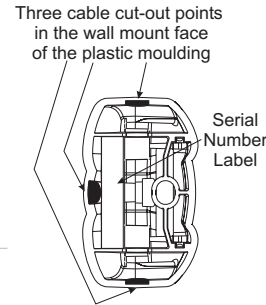


Fig 2-4: Cable Routing Cut-Outs

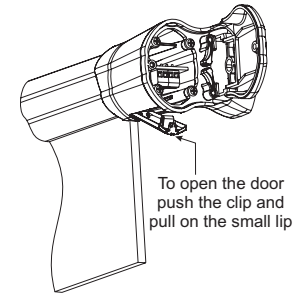


Fig 2-5: Opening The Access Door

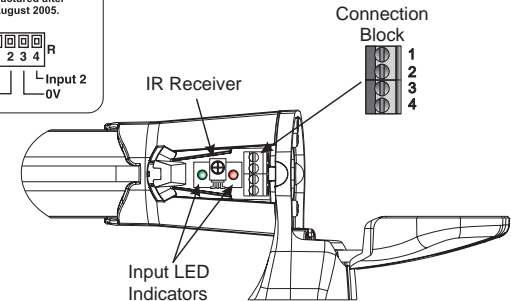
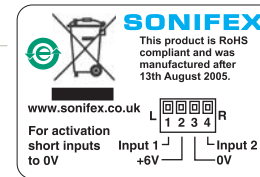


Fig 2-6: Mode Settings & Connection Block

### Connecting The Power & Signal Connections For End Mounted Signs

It is recommended that the LD-IT Signaled end mount sign installation tool is used to assist the termination of the power and signal connections. The

tool is designed to hold the sign on the pre-fitted wall mount plate leaving both hands free to make the connections, as shown in Fig. 2-7.

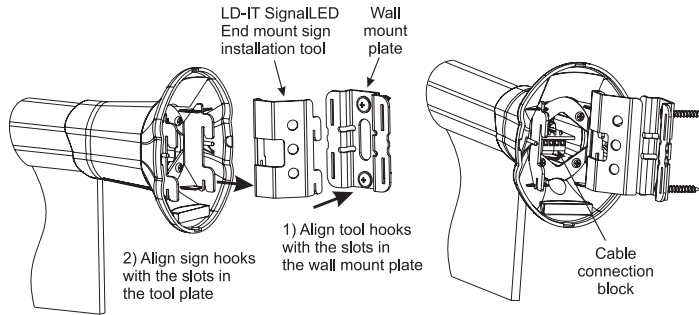


Fig 2-7: LD-IT End Mount Sign Installation Tool

To get access to the cable connection block and the mode switches, which are on the PCB inside the sign, the door on the underside of the end plastic moulding must be opened.

To open the door push the clip towards the sign and pull down on the small lip. See Fig 2-8. Do not attempt to remove the door from the end moulding. Access to the connection block and the mode switches is possible with the door fully open.

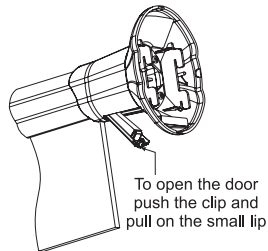


Fig 2-8: Opening The Access Door

### Power Supply

The sign can be connected and powered either with the supplied DC power supply, or with a regulated DC supply rated 5V to 7V DC, 0.5A minimum. Please note that the current that a power supply can supply, will be affected by the type of wiring used and its length, i.e. it's total impedance. For example, using bell-wire presents too high an impedance and should not be used. See the website FAQs for more details. Please check the supplied DC power supply to confirm which lead is +6V and which is 0V.

Pin 1 (Signalling Input 1)

Pin 2 (+6V) @ 500mA

Pin 3 (0V)

Pin 4 (Signalling Input 2)

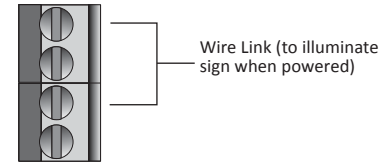
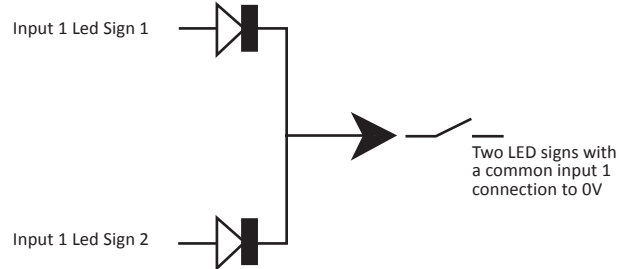


Fig 2-9: Wire link To Illuminate Sign When Powered

**Please note** it is essential that the ground pin (0V pin 3) is connected properly before powering up the sign, or firmware corruption may occur. The signalling inputs are used to control the sign and are pulled low (to 0V, pin 3) to activate. On signs manufactured before 14/10/2011 if driving more than one LED sign from the signalling inputs, or power supply, then the LED sign pins should be diode protected to prevent a reverse current condition.



**Please note** pins 3 (0V) and 1 (input 1) are linked by default so that the sign will illuminate in its default mode when first powered up.

Use a small flat blade screwdriver to undo the connection block screw terminals. Do not fully remove the screws from the terminals - they only need 2 or 3 full turns to accept the wire ends.

**Step 1:** Connect the power supply 0V lead to Pin 3 (Ground/0V), along with the link, on the connector block.

**Step 2:** Connect the power supply +6V lead (normally marked by a white stripe, or white text on the wire - test this with a voltmeter if you are unsure) into pin 2 on the connector block. Configured like this, the sign will illuminate when powered.

**Step 3:** If using Signalling input 1 to control the sign, remove the link completely and connect a switch or other contact closure between Pins 1 & 3 (0V) of the connector block. If using Signalling input 2 to control the sign, remove the link completely and connect a switch or other contact closure between Pins 4 & 3 (0V) of the connector block.

When the power and signalling connections have been made, close the access door by pressing the clip back to its original position. It will click into place when it is fully home.

After all of the terminations have been checked and the cables have been routed through the cable clamps, close the end cover by reversing the opening procedure, taking care not to overtighten the retaining screw.

## 7V-36V Extended DC Voltage Option

The LD-DC option, or LDD version, of a sign allows a SignalLED main circuit board to accept a DC input in the range 7V-36V, for example, if you have a 12V or 24V distributed DC power network.

It has the same signal and power pins as the standard sign where Pin 3 = 0V and Pin 2 = +Volts.

Where a longer cable run is required or the cable itself has a relatively high resistance, (CAT5 network cable for example), the DC/DC PCB may be preferable. In such cases the higher voltage will reduce the amount of current required by the sign. For example, the LED sign draws 500mA at 6V, giving a total power of  $VA = 6 \times 0.5$  (3VA). Therefore, for 24V, the current required would be  $3VA / 24V = 0.125$ Amps.

## Programming Colour & Illumination Modes

SignalLED signs bought after 1st December 2010 are programmed using a separate handheld remote control, instead of being programmed using DIPswitches on the sign.



**Please note** that the remote control must be ordered separately, LD-RPC. Please contact your Sonifex distributor for ordering information.

Although the SignalLED is delivered as standard to indicate a certain colour when a pull-low (to 0V) input signal is applied, the sign is programmable to allow a number of different display modes and uses. For example, the sign can be made to switch between 4 colours, one for each of the input conditions below. The sign can also illuminate a certain colour when no input signal is connected, i.e. it can be permanently illuminating, or it can be made to switch from one colour to another on application of an input signal.

### Setting The Colour & Display Mode(s) of The Sign

The sign can be set to illuminate in 4 different states according to the combination of the 2 x pull-low signalling inputs present at the input connector block:

- Connect pin 1 to 0V to select input 1.
- Connect pin 4 to 0V to select input 2.

For each of the 4 states, the following features can be adjusted and set:

- Divide Point – This allows you divide the sign into two separate sections, to set the size of each section and to set the size of a ‘dead area’ in between the two sections, if required.

- Colour of each section.
- Brightness of overall sign illumination.
- Mode of sign operation, selectable from on, off, flash, pulse and fade.

### Enter Programming Mode

To enter programming mode, open the Access Door (See Fig 2-5) which exposes the infra-red receiver. Then point the remote control unit at the opening and press & hold the PROGRAM (7) button for 3 seconds until the LEDs in the main sign quickly cascade away & to the opening. This indicates that the unit is in the Programming Mode.

To exit the Programming Mode, press & hold the PROGRAM (7) button until the LEDs cascade away & to the receiver again.

During programming the input state being programmed is reflected in the 2 LEDs positioned in the opening:

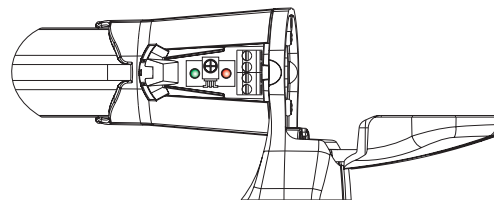


Fig 3-1: IR Opening & Input LEDs

Input State	Input 1	Input 2	Green LED (Input 1)	Red LED (Input 2)
1	Unconnected	Unconnected	Off	Off
2	Connected to 0V	Unconnected	On	Off
3	Unconnected	Connected to 0V	Off	On
4	Connected to 0V	Connected to 0V	On	On

Fig 3-2: Input States



Once in programming mode the sign will default to input state 1, press the INPUT (8) button to step through the input states 2 – 4 \*, until you have selected the one you wish to change.



(\* noting that the green LED indicates Input 1 and the red LED input 2.)

### Setting The LED Sections of The Sign

The sign can be treated as a single sign or can be split into two separate sets of LEDs anywhere along the sign's length, referred to as Sections 1 and 2 below, with a non-displaying centre section, the 'dead zone'.

Press the DIVIDE (6) button to set the divide position for Section 1. Pressing the DIVIDE (6) button again alternates the currently selected section between Sections 1 and 2.

Section 1 initially consists of the 9 LEDs closest to the opening, with Section 2 being the 9 LEDs furthest away (on a 40cm sign).

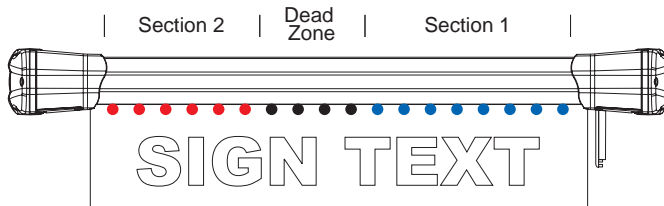


Fig 3-3: Operation of DIVIDE

Pressing the + (2) button advances the Section 1 divide position one LED for each time you press the button. If Section 1 reaches Section 2 then Section 2 is pushed back (i.e. its divide position retreats).

Pressing the – (1) button causes the Section 1 divide point to retreat. But this time Section 2's divide position remains unchanged and a dead zone (i.e. no LEDs illuminate here) is created. Similarly when Section 2 is being set the – (1) button will advance Section 2 into Section 1 causing the Section 1 divide position to retreat, but pressing the + (2) button will cause the divide position of Section 1 to remain unchanged again introducing a dead zone. This is complex to explain and it's probably better that you try it yourself to see how it works!

The divide point for Section 1 or Section 2 cannot be moved so that the Section 1 is not visible. To set the sign to all one colour we suggest moving the divide point of Section 1 to its maximum which will make Section 2 invisible, although the same result can be achieved by setting both sections to the same colour.

### Setting The Colour of The Section/Sign

To set the colour of each Section, (or the whole sign if only one Section is defined), press the COLOUR (5) button to select Section 1. Pressing the colour button again alternates the currently selected section.

Press the + (2) and – (1) buttons to change the selected colour according to the colour table below. Normally the User colour setting is undefined and therefore not selectable. However, for special orders Sonifex can create distinct colour sets and these will use the User colour setting.

Colour Number	Set Colour
1	Off
2	White
3	Orange
4	Brick Red
5	Cyan
6	Red
7	Magenta
8	Blue
9	Yellow
10	Green
11	User

Fig 3-4: Colour Table

To set the sign to be off for a particular input, set the Colour above to 'Off'.

### Setting The Sign Brightness

To set the brightness of the whole sign, press the BRIGHT (4) button and then the + (2) or - (1) buttons to increase or decrease the brightness of the sign. For fade modes (Illumination Modes 3 and 6, see below) this will set the peak brightness of the sign.

### Setting The Illumination Mode

To set the Illumination Mode, press the MODE (3) button and use the + (2) and - (1) buttons to step through the modes according to the table below:

Illumination Mode Number	Operation
0	Whole sign on
1	Flash whole sign ( ½ second on, ½ second off)
2	Pulse whole sign (4 pulses in ½ second on, ½ second off)
3	Fade whole sign ( fade up in 2 seconds, fade down in 2 seconds)
4	Flash alternate Sections
5	Pulse alternate Sections
6	Fade alternate Sections

Fig 3-5: Illumination Mode Table

Press the INPUT (8) button to configure another input state or press & hold the PROGRAM (7) button to exit the Programming Mode, until the LEDs cascade away & to the receiver again.

### If The Sign Appears To Be Off

When starting to program the sign it may be unclear what the initial state of the sign is. For instance if the sign is off, it's hard to know whether the Section 1 colour is set to off, whether the Section 2 colour is set to off, whether an entire 'dead zone' has been configured, or whether there is a mix of all 3 of these states. To make sure that the display state is known, perform the following actions:

1. Go into Programming Mode by pressing and holding the PROGRAM (7) button.
2. Press the INPUT (8) button to select the required input.
3. Press the DIVIDE (6) button to enter divide programming. Press the + (2) button three times to ensure that Section 1 is visible.
4. Press the DIVIDE (6) button again and press the – (1) button to ensure that section 2 is visible
5. Press the DIVIDE (6) button again and press the – (1) button to ensure that the dead zone is visible.

If the display is still off then:

1. Press the COLOUR (5) button again and press the + (2) button to ensure that Section 1 is assigned a colour.
2. Press the COLOUR (5) button again and press the + (2) button enough times to ensure that Section 2 is assigned a different colour to that assigned to Section 1.

This should confirm that a colour can be programmed.

### **Resetting The Sign to Factory Defaults**

The sign can be set back to the factory default colours and illumination mode as follows: Enter the Programming Mode and press and hold the MODE (3) button for 10 seconds. The sign will now show the original colour(s) and mode(s).

## Technical Specifications

### Physical Specification

Power Supply: Plug-top power supply providing 6V at 1A, with 4 international wall adapters (UK, EU, US and AUS) and 5m lead to bare ends.

Power Input: 5-7V DC

40cm Sign: 500mA max

Input Connector: 4 way screw terminal block

Control Inputs: 2 x pull-down to 0V

Perspex Dimensions: Single: 40cm (W) x 8cm (H)

Overall Sign Dimensions:

LD-20F1 333mm x 129mm x 60mm

LD-40F1 527mm x 129mm x 60mm

LD-40F2 527mm x 129mm x 60mm

### Equipment Type

#### Single Flush Mounting Signs (20cm):

LD-20F1REC 20cm 'RECORD' Sign

LD-20F1ONA 20cm 'ON AIR' Sign

LD-20F1MCL 20cm 'MIC LIVE' Sign

#### Single Flush Mounting Signs (40cm):

LD-40F1REC 40cm 'RECORD' Sign

LD-40F1ONA 40cm 'ON AIR' Sign

LD-40F1MCL 40cm 'MIC LIVE' Sign

LD-40F1PHN 40cm 'PHONE' Sign

LD-40F1TRF 40cm 'TRAFFIC FLAG ON' Sign

LD-40F1ADB 40cm 'AD BREAK' Sign

LD-40F1REH 40cm 'REHEARSAL' Sign

LD-40F1DOR 40cm 'DOOR' Sign

LD-40F1OBT 40cm 'OBIT' Sign

LD-40F1NOE 40cm 'NO ENTRY' Sign

LD-40F1EXIT 40cm 'EXIT' Sign

LD-40F1SIL 40cm 'SILENCE PLEASE' Sign

LD-40F1MET 40cm 'MEETING IN PROGRESS' Sign

LD-40F1INT 40cm 'INTERVIEW IN PROGRESS' Sign

### Twin Flush Mounting Signs (2 x 20cm):

LD-40F2TX-REH 2 x 20cm 'TX' & 'REH' Sign

LD-40F2ONA-MCL 2 x 20cm 'ON AIR' & 'MIC LIVE' Sign

### Mounting Kits:

LD-KE1 End Mounting Kit For 40cm Or 20cm Flush Mounting Signs

LD-IT LED Sign End Mounting Installation Tool

LD-KC1 SignalLED Ceiling or Desk Mount Bracket (Pair)

### Weights & Boxed Dimensions:

Sign Type	Width (cm)	Depth (cm)	Height (cm)	Gross Weight (cm)	Net Weight (kg)
LD-20F1 style signs	39	20	11	1.0	0.65
LD-40F1 style signs	60	20	11	1.1	0.75
LD-40F2 style signs	60	20	11	1.1	0.75

**Note :** Weights are approximate and based on a sign supplied with the PSU.

## Appendix 1

### LD-KE1 Signalled Conversion Kit, Single Flush Mount to End Mount

To convert the LD-20F & LD-40F style flush mount single sided signs into single sided end mount signs you will need to fit the LD-KE1 conversion kit. Please follow these instructions carefully.

Note: You'll need the following tools to use the conversion kit; a No. 0 and No.1 Pozi-drive screwdriver.

Take care not to damage the clear surface of the sign board. The surface will be marked by swarf or rough surfaces, so please use a clean cloth to hold the sign.

Because the sign is single sided the text will only be correctly viewable from one side. If the text must be viewed from one particular side this must be chosen initially as it will affect the disassembly and subsequent re-assembly of the sign

As standard the Signalled PCB is fitted into the right hand end of the LD-20F & LD-40F (see Fig 5-1). If you would like the sign to be viewable with the right hand side of the sign mounted onto the wall please use the 'Right Hand Side' fitting instructions.

If you would like the sign to be viewable with the left hand side of the sign mounted onto the wall, please use the 'Left Hand Side' fitting instructions.

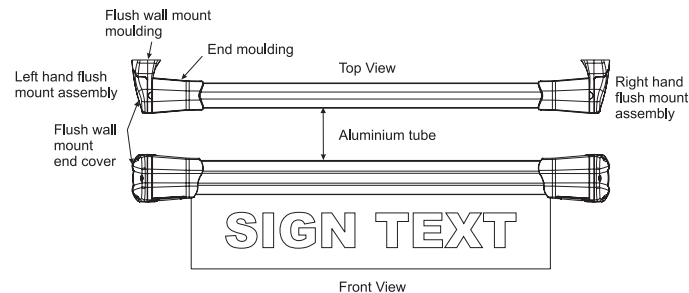


Fig 5-1: Sign Components to be Converted

#### Right Hand Side Fitting of the Conversion Kit

- 1) Open the end cover on the left hand flush mount assembly by removing the self tapping screw with a No.1 pozi-drive screwdriver.
- 2) Remove the left hand flush mount assembly by unscrewing the 4 screws that fix the end moulding to the aluminium tube. These are located inside at the bottom of the end moulding. See Fig 5-3.
- 3) Align the 4 pins of the extrusion end cover with the screw holes in the exposed end of the aluminium tube. Note the orientation of the cut-out with the clear sign board and press fit the end cover fully onto the aluminium tube.
- 4) Open the end cover on the right hand flush mount assembly by removing the self-tapping screw with a No.1 pozi-drive screwdriver.
- 5) Remove the flush wall mount moulding from the end moulding by unscrewing the 4 screws visible under the cover See Fig 5-4.
- 6) Fit the internal hanger plate into the end wall mount moulding. Align the semi-circular cut-out in the hanger plate with the raised section

above the serial number label, which indicates the bottom of the assembly. Also make sure that the hanger plate fits into the slots in the wall mount moulding.

- 7) This combination is then fixed to the right hand flush mount assembly end moulding with the 4 supplied No.4 x ¼ self tap screws. See Fig 5-5. Do not substitute any other screws in these positions and do not reuse the screws removed from these positions, because they will not support the sign correctly.
- 8) Please refer to the installation notes for the LD-40E style signs to complete the final fitting and colour/configuration set-up.

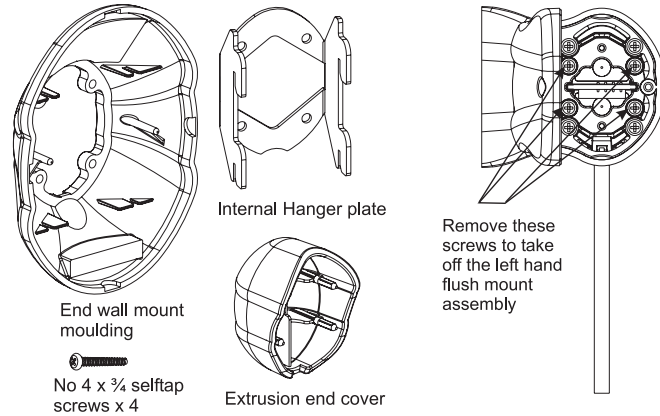


Fig 5-2: Kit Components Used for the Conversion

Fig 5-3: Removing the Left Hand Assembly

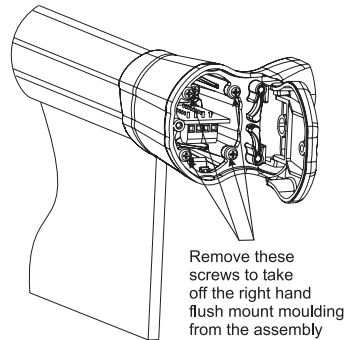


Fig 5-4: Removing the Right Hand Flush Wall Moulding

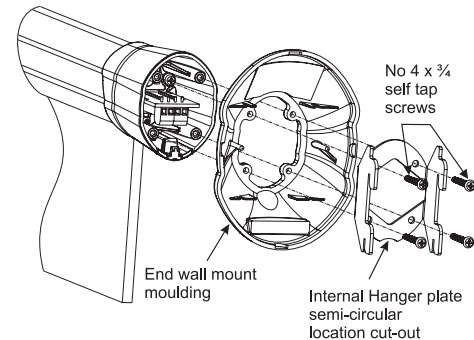


Fig 5-5: Right Hand Conversion Re-Assembly

### Left Hand Side Fitting of the Conversion Kit

**Note:** With this conversion you will be removing the PCB from the sign so full anti-static precautions must be taken to protect the PCB from damage. Failure to do so may result in the sign not working and invalidating the warranty.

- 1) Open the end cover on the right hand flush mount assembly by removing the self-tapping screw with a No.1 pozi-drive screwdriver.
- 2) Remove the 2 small screws that hold the PCB into the right hand flush mount assembly and withdraw the PCB. Place the PCB on an antistatic surface.
- 3) Remove the right hand flush mount assembly by unscrewing the 4 screws that fix the end moulding to the aluminium tube. These are located inside at the bottom of the end moulding.
- 4) Align the 4 pins of the extrusion end cover with the screw holes in the exposed end of the aluminium tube. Note the orientation of the cut-out with the clear sign board and press fit the end cover fully onto the aluminium tube.
- 5) Open the end cover on the left hand flush mount assembly by removing the self-tapping screw with a No.1 pozi-drive screwdriver.
- 6) Remove the flush wall mount moulding from the end moulding by unscrewing the 4 screws visible under the cover.
- 7) Replace the PCB into the left hand end moulding aligning the PCB edge with the guide tracks in the aluminium extrusion. Refit the 2 small screws that hold the PCB, taking care not to over tighten and strip the plastic.
- 8) Fit the internal hanger plate into the end wall mount moulding. Align the semi-circular cut-out in the hanger plate with the raised section above the serial number label, which indicates the bottom of the

assembly. Also make sure that the hanger plate fits into the slots in the wall mount moulding.

- 9) This combination is then fixed to the left hand flush mount assembly end moulding with the 4 supplied No.4 x ¾ self tap screws. Do not substitute any other screws in these positions and do not reuse the screws removed from these positions because they will not support the sign correctly.
- 10) Please refer to the installation notes for the LD-40E style signs to complete the final fitting and colour/configuration set-up.

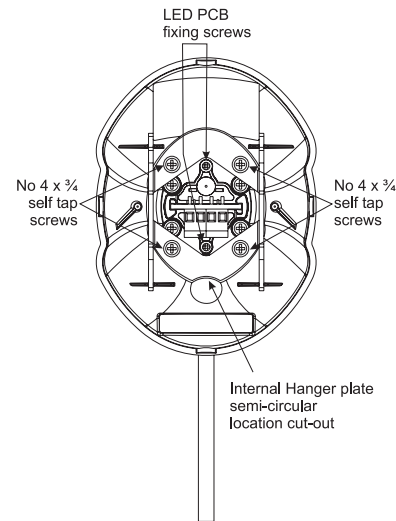


Fig 5-6: Left Hand Conversion Re-Assembly

## Appendix 2

### SignalLED Preconfigurations

Top Level Part Number	Slave	Master (Side with connections)	No Input	Input 1 (Default link between pins 1 and 3 on the power connector)
LD-20F1MCL		MIC LIVE	Turns the sign off	Turns the whole sign solid red when connected to 0V
LD-20F1ONA		ON AIR	Turns the sign off	Turns the whole sign solid green when connected to 0V
LD-20F1REC		RECORD	Turns the sign off	Turns the whole sign solid red when connected to 0V
LD-40F1ADB	AD BREAK		Turns the sign off	Turns the whole sign solid red when connected to 0V
LD-40F1DOR	DOOR		Turns the sign off	Turns the whole sign solid blue when connected to 0V
LD-40F1EXIT	EXIT		Turns the sign off	Turns the whole sign solid green when connected to 0V
LD-40F1INT	INTERVIEW IN PROGRESS		Turns the sign off	Turns the whole sign solid red when connected to 0V
LD-40F1MCL	MIC LIVE		Turns the sign off	Turns the whole sign solid red when connected to 0V
LD-40F1MET	MEETING IN PROGRESS		Turns the sign off	Turns the whole sign solid red when connected to 0V
LD-40F1NOE	NO ENTRY		Turns the sign off	Turns the whole sign solid red when connected to 0V
LD-40F1OBT	OBIT		Turns the sign off	Turns the whole sign solid magenta when connected to 0V
LD-40F1ONA	ON AIR		Turns the sign off	Turns the whole sign solid green when connected to 0V
LD-40F1PHN	PHONE		Turns the sign off	Turns the whole sign solid yellow when connected to 0V
LD-40F1REC	RECORD		Turns the sign off	Turns the whole sign solid red when connected to 0V
LD-40F1REH	REHEARSAL		Turns the sign off	Turns the whole sign solid blue when connected to 0V
LD-40F1SIL	SILENCE		Turns the sign off	Turns the whole sign solid red when connected to 0V
LD-40F1TRF	TRAFFIC FLAG		Turns the sign off	Turns the whole sign solid orange when connected to 0V
LD-40F2ONA-MCL	ON AIR	MIC LIVE	Turns the sign off	Turns the MIC LIVE segment solid red when connected to 0V
LD-40F2ONA-SIL	ON AIR	SILENCE	Turns the sign off	Turns the SILENCE segment solid orange when connected to 0V
LD-40F2TX-REH	TX	REH	Turns the sign off	Turns the REH segment solid blue when connected to 0V



Note: The sign can be set back to the factory default colours and illumination mode as follows: Enter the Programming Mode and press and hold the MODE (3) button for 10 seconds. The sign will now show the original colour(s) and mode(s).

Top Level Part Number	Input 2	Both Inputs
LD-20F1MCL	Turns the whole sign solid green when connected to 0V	Turns the sign off
LD-20F1ONA	Turns the whole sign solid red when connected to 0V	Turns the sign off
LD-20F1REC	Turns the whole sign solid green when connected to 0V	Turns the sign off
LD-40F1ADB	Turns the whole sign solid green when connected to 0V	Turns the sign off
LD-40F1DOR	Turns the whole sign solid red when connected to 0V	Turns the sign off
LD-40F1EXIT	Turns the whole sign solid red when connected to 0V	Turns the sign off
LD-40F1INT	Turns the whole sign solid green when connected to 0V	Turns the sign off
LD-40F1MCL	Turns the whole sign solid green when connected to 0V	Turns the sign off
LD-40F1MET	Turns the whole sign solid green when connected to 0V	Turns the sign off
LD-40F1NOE	Turns the whole sign solid green when connected to 0V	Turns the sign off
LD-40F1OBT	Turns the whole sign solid white when connected to 0V	Turns the sign off
LD-40F1ONA	Turns the whole sign solid red when connected to 0V	Turns the sign off
LD-40F1PHN	Turns the whole sign solid white when connected to 0V	Turns the sign off
LD-40F1REC	Turns the whole sign solid green when connected to 0V	Turns the sign off
LD-40F1REH	Turns the whole sign solid red when connected to 0V	Turns the sign off
LD-40F1SIL	Turns the whole sign solid orange when connected to 0V	Turns the sign off
LD-40F1TRF	Turns the whole sign solid green when connected to 0V	Turns the sign off
LD-40F2ONA-MCL	Turns the ON AIR segment solid green when connected to 0V	Turns the MIC LIVE segment solid red and the ON AIR segment solid green when connected to 0V
LD-40F2ONA-SIL	Turns the ON AIR segment solid red when connected to 0V	Turns the SILENCE segment solid orange and the ON AIR segment solid red when connected to 0V
LD-40F2TX-REH	Turns the TX segment solid red when connected to 0V	Alternates REH in solid blue, TX in solid red





**SONIFEX**

[www.sonifex.co.uk](http://www.sonifex.co.uk)

t:+44 (0)1933 650 700

f:+44 (0)1933 650 726

[sales@sonifex.co.uk](mailto:sales@sonifex.co.uk)